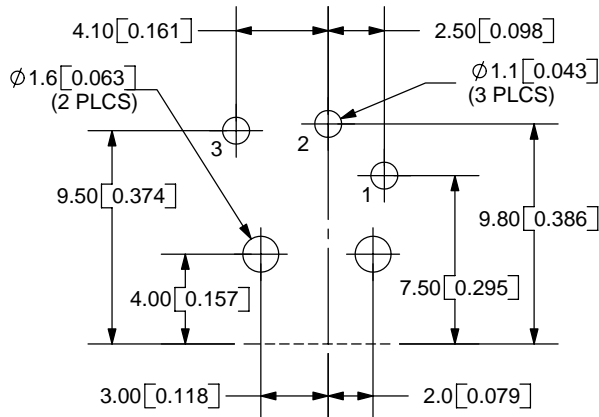
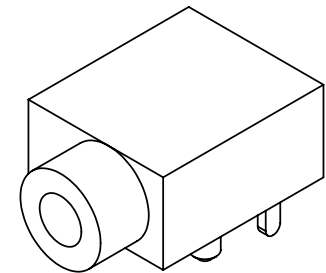
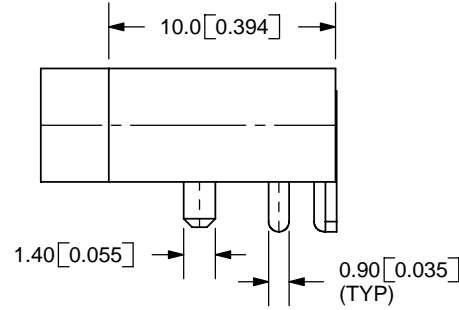
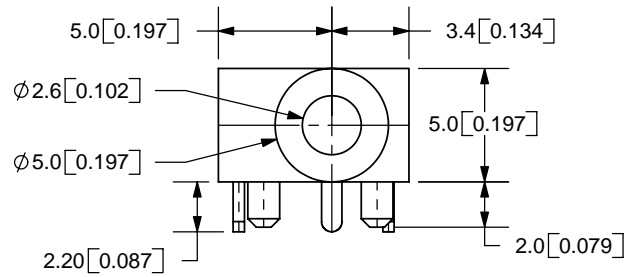
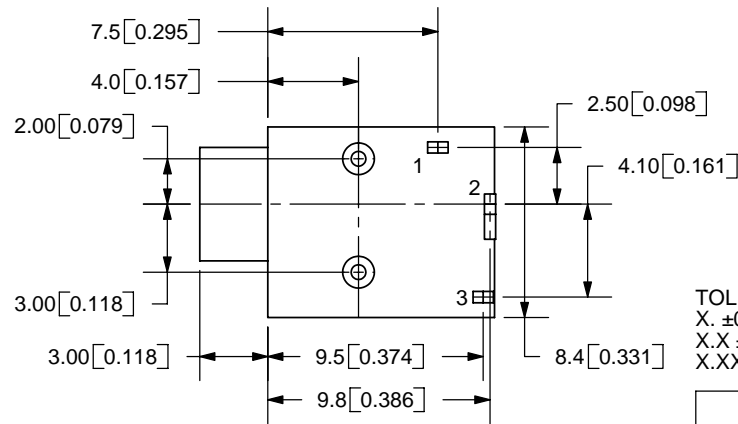


REV.	DESCRIPTION	DATE
A	NEW DRAWING	11/30/2005



PCB LAYOUT
TOP VIEW



TOLERANCE:
X. ±0.5mm
X.X ±0.3mm
X.XX ±0.15mm



MODEL NO.	MJ-2509N
SCHMATIC	

SPECIFICATIONS:
 RATING: 12V DC @ 1A
 CONTACT RESISTANCE: 30m OHMS MAX
 INSULATION RESISTANCE: 100M OHMS MIN: 500V DC
 VOLTAGE WITHSTAND: 500V AC R.M.S. FOR 1 MINUTE
 LIFE: 5,000 CYCLES



20050 SW 112th Ave.
 Tualatin, OR 97062
 Phone: 503-643-4899
 800-275-4899
 Fax: 503-372-1266
 Website: www.cui.com

	MATERIAL	PLATING	TITLE: 2.5mm AUDIO JACK-MONO	REV: A
TERMINAL 1	PBS	Tin	PART NO. MJ-2509N	UNITS: MM [INCHES]
TERMINAL 2	Brass	Tin		
TERMINAL 3	PBS	Tin		
HOUSING	PBT		DRAWN BY: ZRJ	APPROVED BY:
				SCALE: 3:1

PC FILE NAME:
MJ-2509N

COPYRIGHT 2006 BY CUI INC.